

**SUNWARD**

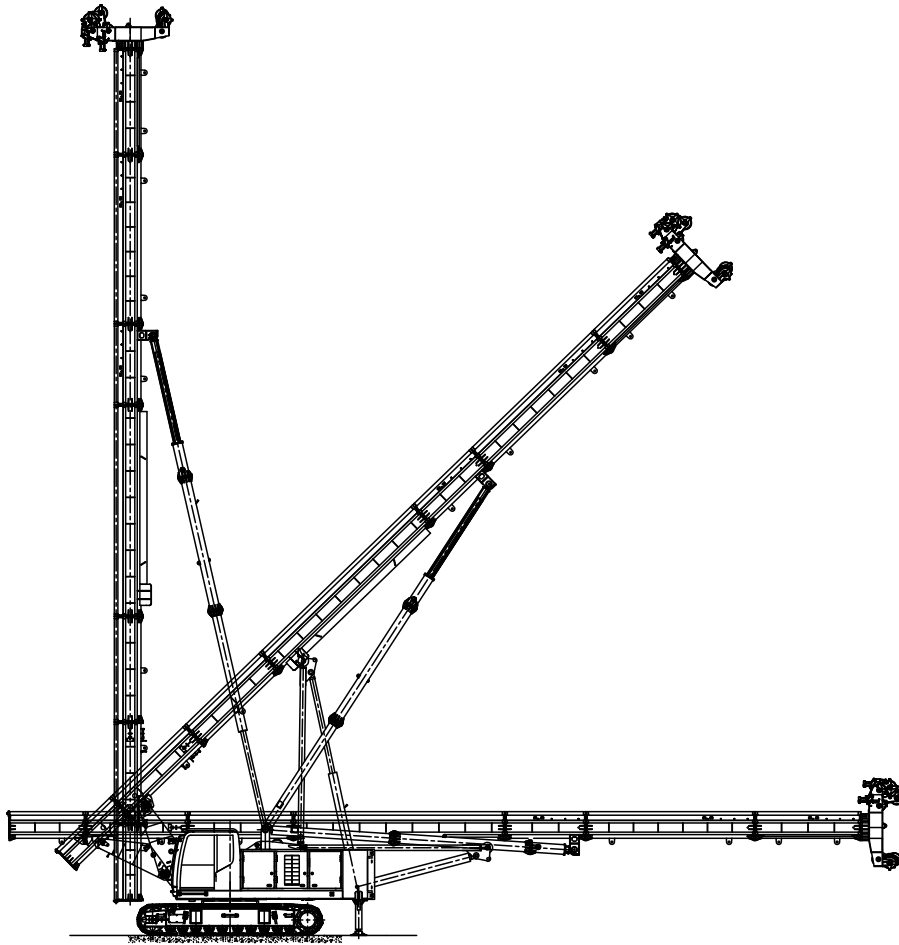
# **SWCH390-90M 全液压履带桩机**

**All Hydraulic Crawler Pile Driver**



# SWCH390-90M 全液压履带桩机

SWCH390-90M All Hydraulic Crawler Pile Driver



## 产品简介

SWCH390-90M全液压履带桩架是山河智能装备股份有限公司在吸收国内外先进技术和经验的基础上，创新研发的一项拥有自主知识产权的新产品。

SWCH390-90M全液压履带桩架集机电液一体化设计先进技术于一身，使用创新的斜撑伸缩节方法，使整机运输长度在约16.8米，同时立柱高度在同类机型中领先，采用具有自主知识产权的高稳履带底盘，配备大直径高强度立柱、大容量、高速度、高提升力的4个集成卷扬机组，电液控制系统应用先进的智能控制技术、虚拟仪表技术和高度集约化的操纵系统，能为搭载的工作装置提供可靠的支撑，确保整机工作时具有安全可靠的稳定性、创造了视野开阔、操作便捷的舒适驾驶空间、行走移位机动灵活、拆装快速便捷、施工效率高。

SWCH390-90M全液压履带桩机可搭载双动力头钻机、多轴钻机、中掘钻机、长螺旋钻机、各种桩锤等多种全液压或电动的工作装置，适用于多种桩基础工法施工，是一种多功能、高效率、节能环保的桩工机械产品。

SWCH390-90M All Hydraulic Crawler Pile Driver, developed by Sunward Intelligent Equipment Group based on advanced domestic and overseas technologies and experience.

SWCH390-90M All Hydraulic Crawler Pile Driver, integrated advanced mechanical, electrical and hydraulic systems. The stable crawler chassis with proprietary innovation, the integrated winch unit featuring high strength and large diameter column, high capacity, high speed and high lifting capacity and the electro-hydraulic control system integrating intelligent control, virtual instrument and highly intensified operation system provide reliable support to the carried working devices, ensure safe and reliable stability, broad view, easy and comfortable driving space, agile traveling, easy and quick disassembly and high operation efficiency.

SWCH390-90M All Hydraulic Crawler Pile Driver, a efficient and energy-saving piling machinery, can be equipped with various all hydraulic or electrical working devices, like drilling machine with dual power heads, multi-spindle drilling machine, inner-digging drilling machine, full screw earth auger and various pile hammers, for multi purposes.

# 主要特点

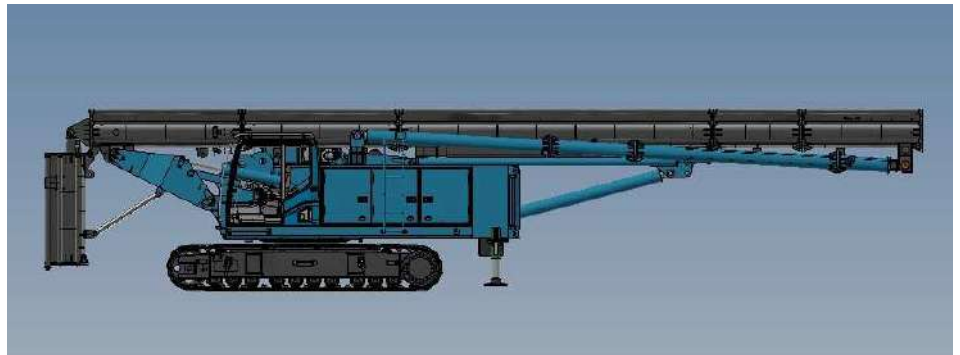
## Technical features

- 搭载高强度宽大底盘，使机器工作更稳定安全。  
The chassis is wide and sturdy to provide excellent stability and safety.



- 驾驶室宽敞舒适，整洁明亮；主要动作使用液压手柄控制，安全省力。  
The cab interior is capacious and bright, providing a comfortable working environment. Main movements are controlled by hydraulic levers, which are safe and energy-saving.
- 控制屏及监视屏使用大屏幕显示。  
The control and monitoring system are displayed by large multi-color screen .
- 吊物卷扬使用油缸进行刹车，操作省力，自由下放动作顺畅。  
For easier operation and smooth lower-down movement, the hoist winch adopts the hydro-cylinder brake.

- 创新的斜撑伸缩节方法，使整机运输长度在约16.8米内，同时立柱高度在同类机型中领先。  
As innovative inclined strut expansion joint method, the machine overall length for transportation is about 16.8m. Besides, the height of the vertical column takes the leading place among the same type machines.



- 整机配置4个卷扬机组，功能全面。  
Four winches is equipped to offer all-around functions.





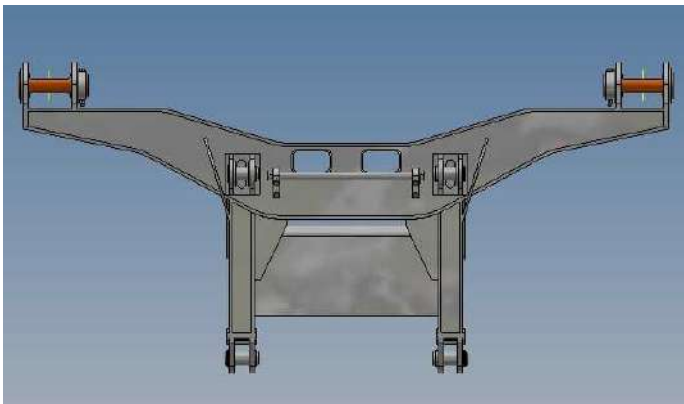
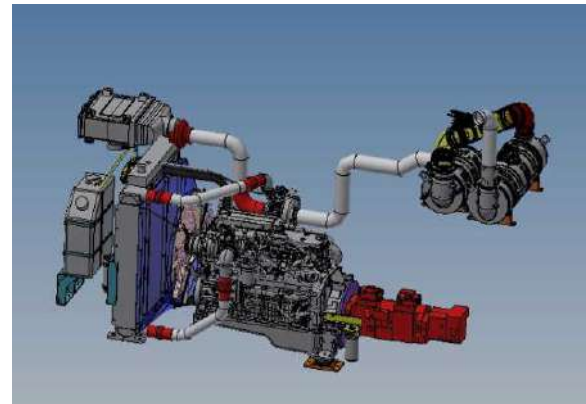
# 主要特点

## Technical features



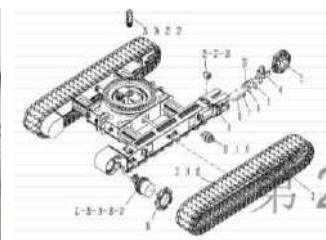
- 主要液压元件选用知名品牌，故障率低。  
For reducing the failure, core parts are famous brand's products.

- 搭载康明斯四阶段发动机，动力强劲，性能可靠，安全，售后便捷。  
Cummins four-stage engine is equipped and provides strong power, stable performance, low noise and easy maintenance.



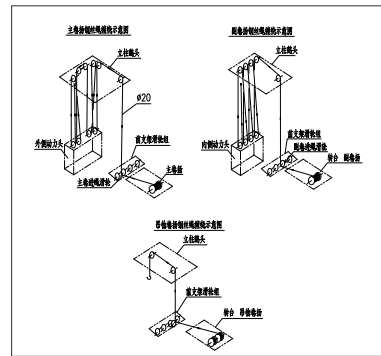
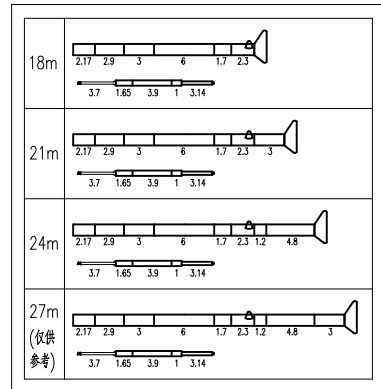
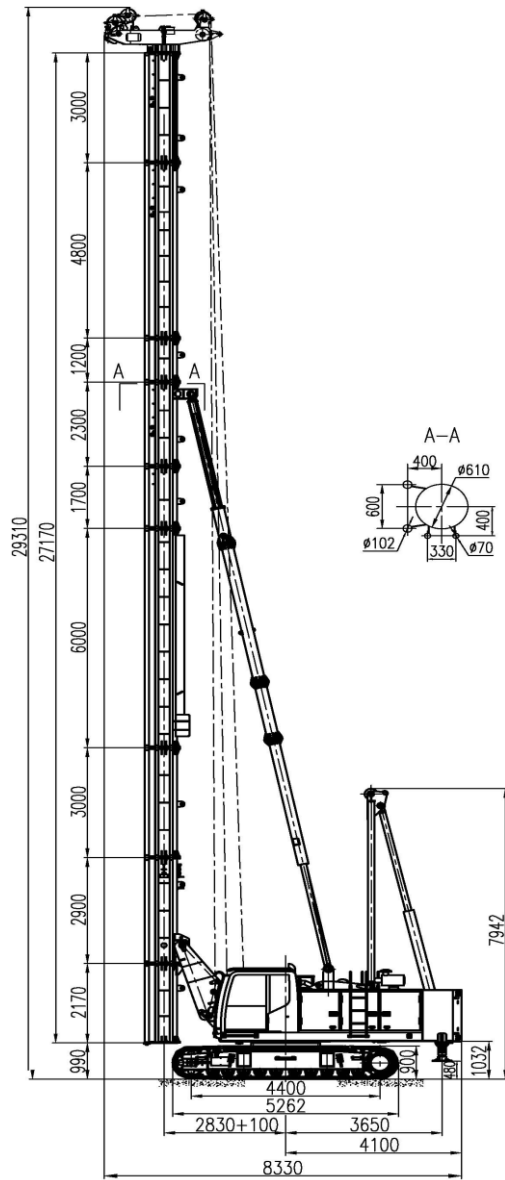
- 三角架强度提升，材质提高，适应更高立柱施工。  
With material improved, the strengthened tri-angle frame is more suitable for higher vertical column construction.

- 持续改进细节，注重安全，完善产品资料。（增加斜撑插销检测传感器，不拆卸爬梯，前部泥板，工具箱等，制作产品图册）。  
The details are improved continuously, much attentions are paid to safety, and product information is also under perfecting. (inclined strut pin sensor mount, keep climbing ladder, front splash guard and tool kit etc., make the product brochure).



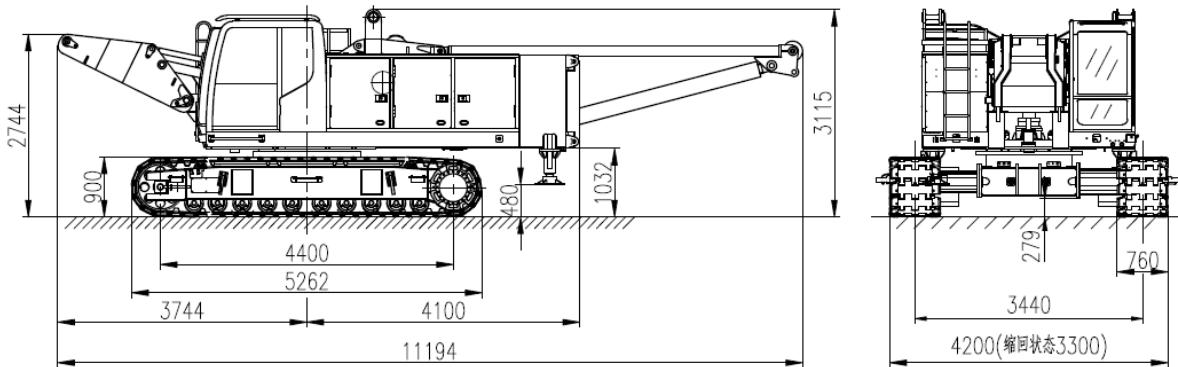
# 外形尺寸图

## Boundary dimension



# 机身外形图

## Fuselage size

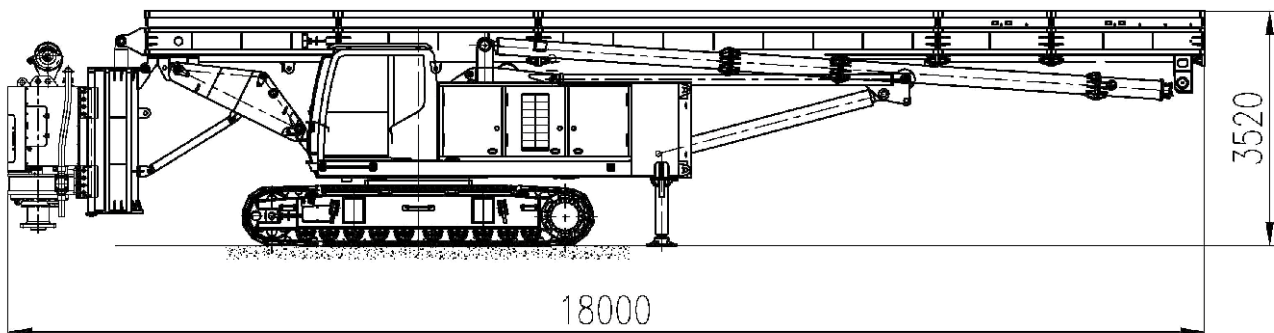


# 主要技术参数

## Main technical data

项目 Item		单位 Unit	SWCH390-90M	备注 Remark
发动机 Engine	型号 Model		QSB6.7-C225	四阶段 four-stage
	额定功率 Rated power	kW	168	
桩架立柱 Vertical column of pile frame	立柱长度 Length	m	18、21、24、(27)	括号内为特配 Special configuration with “()”
	立柱直径 Diameter	mm	Φ 610	
	主滑轨规格 Main slideway	mm	Φ 102×600	
	副滑轨规格 Auxiliary slideway	mm	Φ 70×330	
	允许最大提升力 Allowed max. lifting force	kN (t)	372 (38)	
主卷扬 Main winch	钢绳直径 Wire rope diameter	mm	20	
	容绳量 Rope capacity	m	270	
副卷扬 Auxiliary winch	钢绳直径 Wire rope diameter	mm	20	
	容绳量 Rope capacity	m	270	
吊物卷扬 1 Hoist winch 1	钢绳直径 Wire rope diameter	mm	20	有自由落钩功能 With free hook dropping function
	容绳量 Rope capacity	m	80	
吊物卷扬 2 Hoist winch 2	钢绳直径 Wire rope diameter	mm	20	有自由落钩功能 With free hook dropping function
	容绳量 Rope capacity	m	80	
履带底盘 Track chassis	履带最大展宽 Max. extended width of crawler	mm	4200	
	履带收缩宽度 Retracted width of crawler	mm	3300	
	履带板宽度 Track shoe width	mm	760	
	履带长度 Track length	mm	5262	
	两履带轮中心距 <small>Centre distance of two crawler wheels</small>	mm	4400	
外形尺寸 (长×宽×高) Boundary dimension (L×W×H)	工作状态 In working status	m	7.4×4.2×26.4	搭载24米立柱时 Loaded with 24m vertical column
	运输状态 In transport status	m	约 (approximate) 18×3.3×3.52	带动力头 With power head
配重质量 Counterweight		t	9	
机体质量 Machine weight		t	35	
整机允许最大行走质量 Allowed max. travelling weight		t	90	工作装置搭载时 Loaded with work equipment
接地面积 Ground contact area		m <sup>2</sup>	6.688	
接地比压 Ground contact pressure		MPa	0.124	

\*\*\*由于本产品的不断改进完善，因此上表中参数可能有所改变，恕不能预先告知。  
As the product is being continuous improvement, the data may be changed without notice in advance.



# 售后服务

## After-sale service



### Pre-sales services

- We offer sufficient consultations and suggestions for customers.
- Assist customers to select suitable equipment for the rock conditions.
- Design and manufacture products according to customers' requirements.
- Provide technical training for customers.

### Services during sales

- Fulfill contract and commitments in good faith.

### After-sales services

- Install and debug equipments and train operators on site.
- Timely troubleshoot problems on site.
- Supply spare parts in time.
- Periodically offer routine inspection services to the equipments.
- Periodically revisit customers and know their needs.

# 山河智能装备股份有限公司

## SUNWARD INTELLIGENT EQUIPMENT CO.,LTD.

地址: 湖南·长沙·星沙·凉塘东路1335号·山河智能工业城  
Add: Sunward Industrial Park, No. 1335 Liangtang Road (E),  
Xingsha, Changsha, Hunan, China

电话(Tel): 销售热线: 400-887-6230

服务及投诉热线: 400-887-8230  
+86 731 8640 7779 (International)

邮箱(E-mail): [marketing@sunward.cc](mailto:marketing@sunward.cc)

网址(Web): [www.sunward.com.cn](http://www.sunward.com.cn)

使用设备时一定要认真阅读操作与保养手册。山河智能遵循不断完善的原则，对产品的部分改进或许难以通报阁下，本图册仅作参考，最终解释权属山河智能。  
内部资料 请勿外传

Please read the manual book and maintenance book before operation, changes are periodically added to the information, and Sunward may change the products or services described in this book at any time without announcement. All rights of this manual book reserve to Sunward. SUNWARD Internal Use Only

SWCH390 CH&EN 2020