

矿山破碎王 Mine Crusher

SUNWARD

SWE400E-3H

- ◆整机重量：39.2t
- ◆发动机功率：222kW/2100rpm
- ◆铲斗容量：1.8~2.2m³
- ◆Operating weight: 39.2t
- ◆Engine power: 222kW/2100rpm
- ◆Bucket capacity: 1.8~2.2m³



- **加强矿山型工作装置，标配大斗量双曲线岩石铲斗，效率更高**

Due to the strengthened mine-type working device, standard large bucket hyperbolic rock bucket, the efficiency is higher.

- **顶级的液压系统配置，高效节能**

Due to the top hydraulic system configuration, the efficiency and energy saving are higher.

- **重载型四轮一带和下车架，加长加宽，稳定性更好**

Due to the lengthened and widened heavy-duty "four wheels with one track" and lower frame, its stability is better.

- **标配破碎系统管路，破碎支座和管夹加强，破碎施工更可靠**

Due to the crushing system piping, crushing support and pipe clamp reinforcement are provided as standard, and the crushing construction is more reliable.

- **触手可及的保养设计，保养周期翻倍**

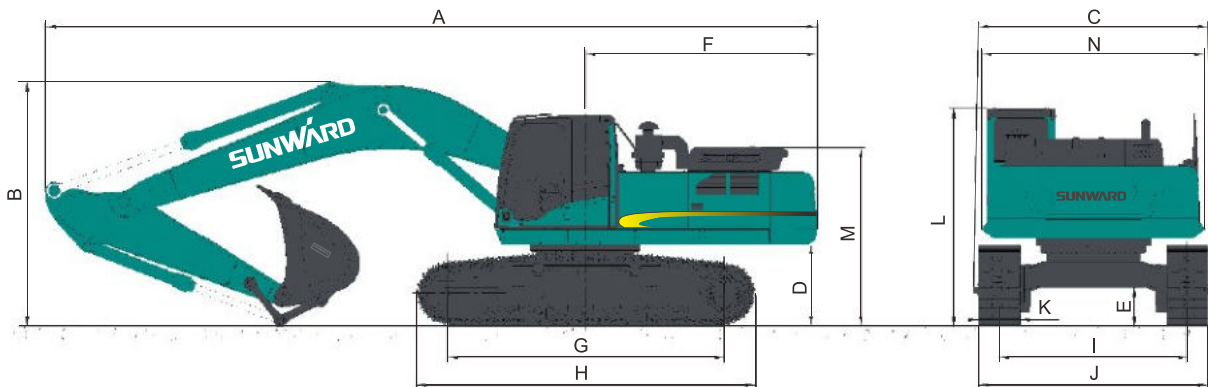
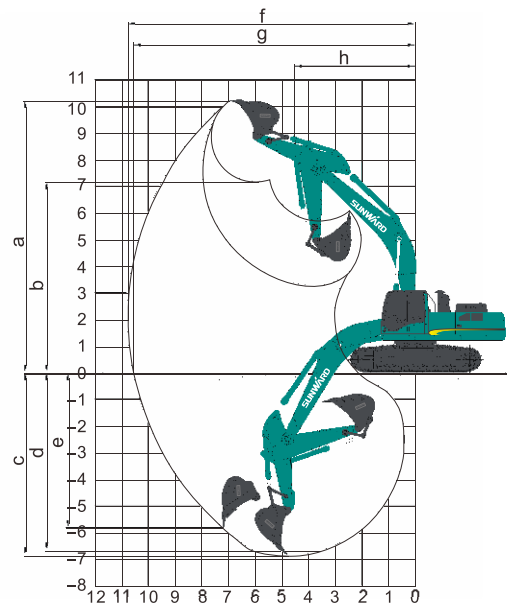
Due to the easy-to-reach maintenance design, the maintenance interval is doubled.

主机参数性能 Host Performance Parameters

规格 Specifications		
整机工作重量 Operating weight	t	39.2
铲斗容量 Standard bucket capacity	m ³	1.8 ~ 2.2
发动机 Engine		
品牌 Brand	Cummins	
型号 Model	QSL9-305T3	
型式 Type	四冲程、增压、中冷、直喷 4-stroke, supercharging, inter-cooling, DI	
功率 Power	kW/rpm	222/2100
最大扭矩 Maximum torque	N·m/rpm	1505/1400
排气量 Displacement	L	8.9
液压系统 Hydraulic System		
主泵类型 Type of main pump	变量柱塞泵×2 2 Variable plunger pump	
主泵最大流量 Maximum flow of main pump	L/min	2×324
系统压力 System pressure	MPa	34.3
先导泵类型 Type of pilot pump	齿轮泵×1 1 Gear pump	
先到泵最大流量 Maximum flow of pilot pump	L/min	35
先导泵压力 Pressure of pilot pump	MPa	3.9
性能 Performance		
回转速度 Rotating speed	rpm	9.1
行走速度 Traceling speed	km/h	5.8/3.6
爬坡能力 Maximum gradeability	°	35
履带宽度 Width of track link	mm	600
接地比压 Ground specific pressure	kPa	68.8
油箱容积 Tank Volume		
燃油箱容积 Fuel tank	L	650
液压油箱容积 Hydraulic oil tank	L	320

作业范围、挖掘力 Working Range / Digging force

a	最大挖掘高度 Max. digging height	mm	10230
b	最大卸载高度 Max. unloading height	mm	7180
c	最大挖掘深度 Max. digging depth	mm	6855
d	挖掘深度 (2.44m水平) Digging depth (2.44m horizontal)	mm	6680
e	最大垂直挖掘深度 Max. vertical digging depth	mm	5460
f	最大挖掘距离 Max. digging distance	mm	10715
g	地面最大挖掘距离 Max. ground digging distance	mm	10500
h	最小前部回转半径 Min. front swing radius	mm	4480
	铲斗挖掘力 (ISO增压) Digging force of bucket (ISO supercharging)	kN	253
	斗杆挖掘力 (ISO增压) Digging force of arm (ISO supercharging)	kN	217



外形尺寸 Outline Dimension

	动臂长度 Boom length	mm	6500		G	履带接地长度 Ground contact length of track	mm	4245
	斗杆长度 Arm length	mm	2670		H	履带长度 Length of track	mm	5181
A	总长度 Total length	mm	11235		I	履带轨距 Track gauge	mm	2740
B	总高度 Total height	mm	3565		J	履带宽度 Width of track	mm	3340
C	总宽度 Total width	mm	3340		K	履带板宽度 Width of track link	mm	600
D	配重离地高度 Ground clearance of counterweight	mm	1200		L	司机室高度 Cab height	mm	3100
E	最小离地高度 Minimum ground clearance	mm	537		M	机器罩高度 Height of machine hood	mm	2665
F	尾部回转半径 Tail swing radius	mm	3445		N	转台宽度 Width of turntable	mm	3110

★由于产品更新，上述参数信息可能会有变更
★ The above parameters may change due to product update

山河智能装备股份有限公司
SUNWARD INTELLIGENT EQUIPMENT CO.,LTD.

地址：湖南·长沙·星沙·凉塘东路1335号·山河工业城
Add: Sunward Industrial Park, No. 1335 Liangtang Road (E), Xingsha, Changsha, Hunan, China.

销售热线(Sales Hotline): 400-887-6230 / +86 731 8640 7779(International)
邮箱(E-mail): sales@sunward.com.cn / marketing@sunward.cc(International)
网址(Web): www.sunward.com.cn

SUNWARD