

# Earthmoving Expert

## SWE 235 E-3H

SUNWARD

- ◆ Overall weight: 23.3t ◆ Engine power: 140kW/2,050rpm
- ◆ Bucket capacity: 1.2m<sup>3</sup>



- Self-developed ELAC load adaptive control technology to ensure the best power and fuel economy;
- Patented slewing flow self-matching technology reduces the loss of energy during slewing;
- The digging efficiency will not decrease in any working conditions below the altitude of 4,000m;
- Dual curved buckets, with the loading capacity per each cycle increased by 10%

## Features and specifications

### Specifications

Operating weight	t	23.3
Bucket capacity	m <sup>3</sup>	1.2
<b>Engine</b>		
Brand		Cummins
Model		QSB7
Type		Four-stroke, water-cooled, direct injection
Power	kW/rpm	140/2050
Maximum torque	N·m/rpm	800/1200
Displacement	L	6.7

### Hydraulic system

Type of primary pump		2 variable displacement piston pumps
Maximum flow of primary pump	L/min	2×240
System pressure	MPa	31.4/34.3
Type of pilot pump		1 gear pump
Maximum flow of pilot pump	L/min	21
Pressure of pilot pump	MPa	3.9

### Performance

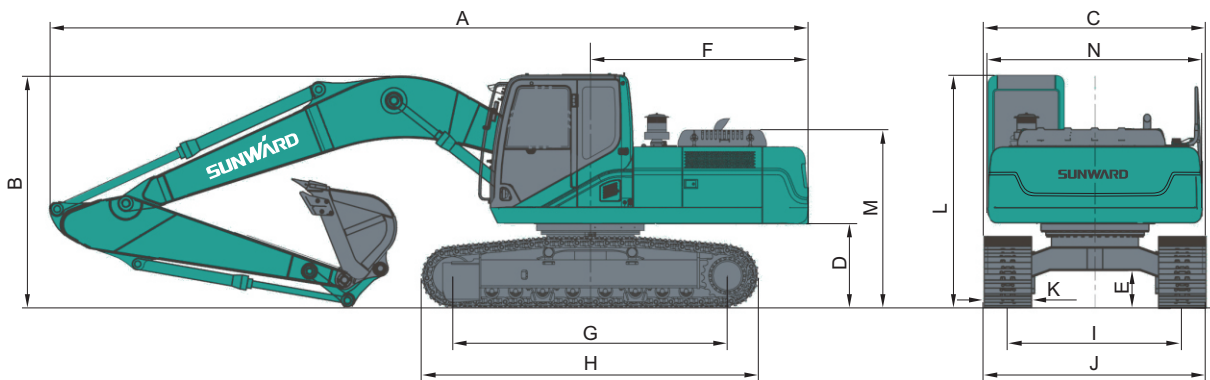
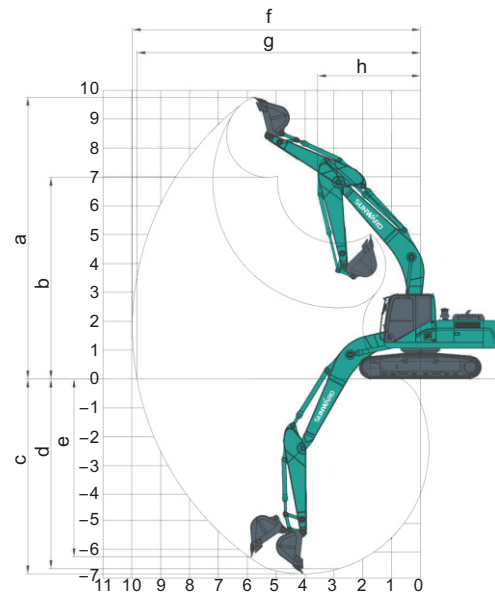
Slewing speed	rpm	13.4
Traveling speed	km/h	5.6/3.5
Gradeability	°	35
Track width	mm	600
Ground pressure	kPa	46.5

### Tank volume

Fuel tank volume	L	370
Hydraulic liquid tank volume	L	250

## Working range and digging capacity

a	Maximum digging height	mm	9600
b	Maximum unloading height	mm	6675
c	Maximum digging depth	mm	6390
d	Digging depth (2.44m, horizontal)	mm	6055
e	Maximum vertical digging depth	mm	5740
f	Maximum digging reach	mm	9670
g	Maximum digging reach at ground level	mm	9500
h	Minimum front swing radius	mm	3630
	Digging force of bucket (ISO supercharging)	kN	155
	Digging force of arm (ISO supercharging)	kN	129



## 外形尺寸

	Boom length	mm	5700		G	Ground contact length of track	mm	3653
	Arm length	mm	2600		H	Track length	mm	4447
A	Total length	mm	9545		I	Track gauge	mm	2390
B	Total height	mm	3160		J	Track width	mm	2990
C	Total width	mm	2990		K	Width of track link	mm	600
D	Ground clearance of counterweight	mm	1060		L	Cab height	mm	2960
E	Minimum ground clearance	mm	478		M	Height of machine hood	mm	2250
F	Tail swing radius	mm	2750		N	Width of turntable	mm	2830

★The above parameters may be subject to changes due to product upgrading

**Sunward Intelligent Equipment Co., Ltd.**

Address: Sunward Industrial Park, No. 1335 Liangtang Road (E), Xingsha, Changsha, Hunan, China  
Email: [international@sunward.cc](mailto:international@sunward.cc) Website: [www.sunward.com.cn](http://www.sunward.com.cn)

**SUNWARD**