

SWE 25UF

MINI-SIZED EXCAVATOR



SUNWARD INTELLIGENT EQUIPMENT CO.,LTD.

Add: Sunward Industrial Park, No. 1335 Liangtang Road (E), Xingsha, Changsha, Hunan, China

Tel: +86 731 8640 7779 E-mail: marketing@sunward.cc

Web: www.sunward.com.cn

SUNWARD EUROPE HEAVY INDUSTRY N.V

Add:Nijverheidsark 3,3580

Beringen,Belgium

Tel:(0032-011)434666

E_mail:eu@sunward.cc

Please read the manual book and maintenance book before operation, changes are periodically added to the information, and Sunward may change the products or services described in this book at any time without announcement. All rights of this manual book reserve to Sunward. SUNWARD Internal Use Only

SWE 2020-06

Engine netpower:14.6kW
Machine weight:2650kg



Outstanding performance

Powered by T4F and Stage 5 Yanmar engine and equipped with excellent hydraulic system and elements; coordinated and smooth compound movement of boom, bucket rod, bucket and slewing, which deeply impressed the users among products of the same tonnage.

Electro-hydraulic proportional lever controls the flow (optional)



Yanmar engine

With low noise and vibration, it is popular among compact equipment and it is easy to maintain the main components.



Easy to transport



Superior performance, powerfull engine, comfortable interior

Configuration	Standard	Optional
Cab	●	
Canopy		●
Right proportional Joystick		●
Breaker pipes	●	
Auxiliary pipes	●	
Hydraulic quick hitch pipes		●





Comfort operation environment

Wider space and wide view enabled by enlarged front windscreen and sunroof; in addition, the high-quality floating shock absorber seat, imitation leather interior on the top, radio, cup holder and reading light ensure a comfortable driving experience;

Safe driving space

Frame supported cab with Fops/Tops safety certificate; regular top protection rail ensures safe driving; hidden seat belt, safety hammer, pilot lock rod, swing parking brake, traveling parking brake and start-up mechanism protects the engine not start with the pilot lever on.



Simple and easy switch control



Advanced monitor

■ List of display items

- Coolant temperature
- Fuel level
- Working hours
- Time
- Traveling mode
- Operating light
- Various indicator of the engine
- Overheat warning
- Oil pressure warning
- Charging indication
- Monitor working indicator



The door and engine hood can be open completely for daily inspection and change of filter. The left lower service hole makes easier maintenance of multi-way valve without removing covering parts.



LED working light



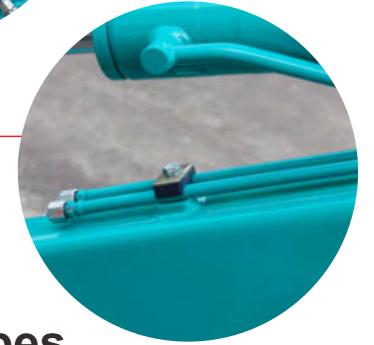
LED warning light



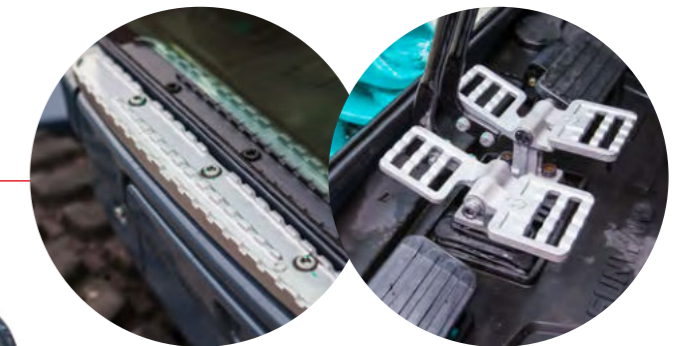
Steel protection cover



Breaker and Auxiliary pipes



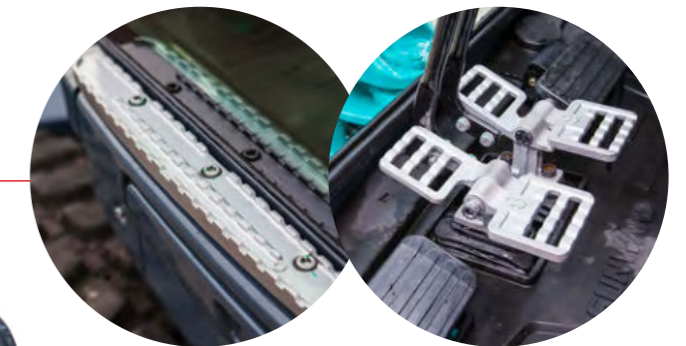
Hydraulic quick hitch pipes



Transport connector



Cast aluminium pedal



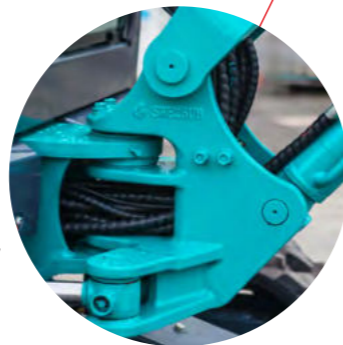
Centralized greasing filling



Cylinder protection plate



Cast slew connector



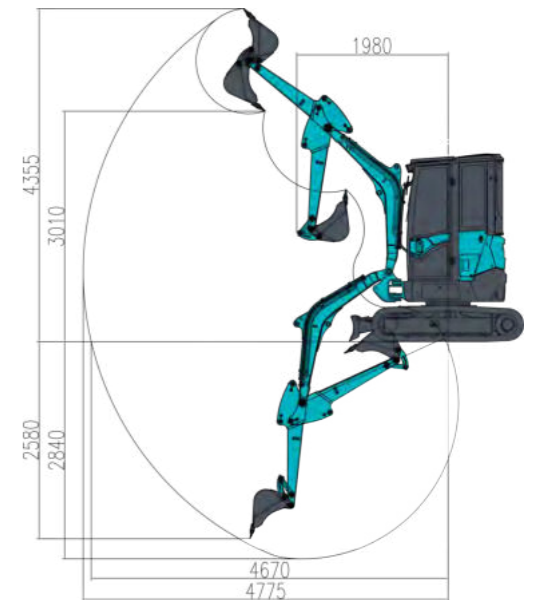
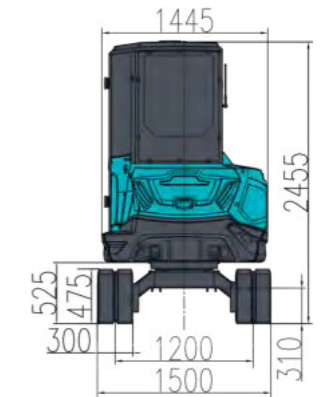
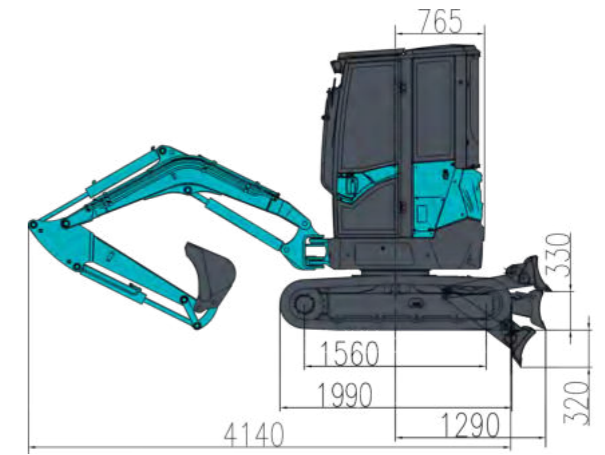
Equipment

The standard and optional equipment varies from country to country. For more information, please contact with us.

Engine		Cab	
Oil filter	●	AM/FM radio	●
Fuel filter	●	Cup holder	●
Oil-water separator	●	Suspension seat	●
Air filter	●	Heating system	●
Radiator	●	Engine safety start system	●
Alternator	●	Safety belt	●
Auxiliary water tank	●	FOPS/TOPS cab	●
Electronic fuel feed pump	●	FOPS/TOPS Canopy	○
Muffler	●	Windscreen washer and wiper	●
Hydraulic system		Left/right rearview mirror	●
Hydraulic pilot control rod	●	Lighter	●
Slewing parking brake system	●	Safety device of front windscreen	○
Traveling parking brake system	●	Front working devices	
Dual-speed traveling system	●	300 mm bucket	○
Auto traveling gear shifting system	●	485mm bucket	○
Electro-hydraulic proportional lever	○	580 mm bucket	●
Light		1000 mm bucket	○
Boom light	●	Breaker pipeling	●
Superstructure light	●	Auxiliary pipeling	●
Front cab light	●	Hydraulic quick hitch pipeline	●
Warning light	●	Track	
		300mm rubber track	●
		300mm steel track	○

● Standard equipment ○ Optional equipment

SWE25UF Technical Parameters				
Type of cab	cabin/canopy			
Bucket capacity, std.	m ³	0.08		
Bucket width	mm	580		
Machine weight	kg	2650/2550		
Dimensions	Overall length	mm	4140	
	Overall height	mm	2455	
	Overall width	mm	1500	
	Ground clearance	mm	310	
Engine	Brand	Yanmar		
	Model	3TNV80F-SPSU		
	Displacement	L	1.267	
	Output	kW/rpm	14.6/2400	
Working ranges	Max cutting height	mm	4355	
	Max loading height	mm	3010	
	Max digging depth	mm	2840	
	Max vertical wall digging depth	mm	2580	
	Max digging reach	mm	4775	
	Boom swing angle (left/right)	°	65/50	
	Front swing radius	mm	1980	
	Tail swing radius	mm	765	
	Max digging force (Arm)	kN	14	
	Max digging force (Bucket)	kN	24	
Track	Type	Rubber track/steel track		
	Track Width	mm	300	
Undercarrige	Track Length	mm	1990	
	Length to center of Rollers	mm	1560	
	Lenhth to center of track	mm	1200	
	Travelling speed(High/Low)	km/h	4.4/2.6	
	Gradeability	deg	30	
	Swing speed	rpm	10	
Dozer size	Ground pressure	kpa	25.1	
	Width	mm	1500	
	Height	mm	325	
Hydraulic pumps	Lifting capacity (Height/Depth)	mm	330/320	
	Type	2 variable plunger pump, 1 Gear pump		
	Displacement	L/min	2*28.8+19.2+6.5	
	Hydraulic pressure	Mpa	2*23.5+19	
	Fuel tank capacity	L	26	
	Hydraulic oil tank capacity	L	24	



Load Capacity:

Lift Point Height	Lift Point Radius(MAX)		Lift Point Radius(3.0m)		Lift Point Radius(2.0m)	
	Over-front(kg)	Over-side(kg)	Over-front(kg)	Over-side(kg)	Over-front(kg)	Over-side(kg)
3.0m	574.00*	398.00	-	-	-	-
1.5m	596.00*	255.00	648.00*	416.00	-	-
0m	609.00*	244.00	861.00*	345.00	1270.00*	596.00
-1.0m	631.00*	293.00	774.00*	334.00	1101.00*	495.00

Notes:

- 1、Load with * is limited by hydraulic capacity and based on ISO 10567. Rated loads do not exceed 87% of hydraulic capacity.
- 2、Load without * is limited by tipping load and based on ISO 10567. Rated loads do not exceed 75% of tipping capacity.
- 3、The excavator bucket, hook, sling and other lifting accessories are not included in this table.

